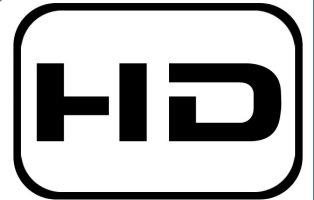


IndigoVision 11000 HD IP Camera Range



Professional High Definition (HD), full frame rate Day/ Night IP cameras

IndigoVision's 11000 range of HD, full frame rate Day/Night IP Cameras are designed to be used with the company's complete end-to-end IP Video solution and have class-leading H.264 compression technology built-in.

The cameras can be ceiling or wall mounted and use a 1/3" Progressive Scan HD Sensor, guaranteeing excellent performance.

IndigoVision's cameras enable simple and easy deployment of IP based video systems as they only require a single CAT 5 cable for connection to the network. The built-in Power-over-Ethernet support allows the camera to be powered directly from the network, reducing installation costs.

- HD Resolution
(1280 x 720 Progressive Scan)
- Excellent image quality from
1/3" Progressive scan sensor
- H.264 30 / 25 fps guaranteed
- Power-over-Ethernet for lower
installation costs
- Day/Night IP Camera with
optional full duplex audio



Specification

Camera Features

Video Resolution 720p HD (1280 x 720 pixels), Widescreen 16:9

Frame Rate 30/25 fps guaranteed

Day/Night True day/night with mechanical IR Cut Filter

Minimum Sensitivity Color: 0.9 Lux (50 IRE, F1.2, 1/30s shutter)
Mono: 0.1 Lux (50 IRE, F1.2, 1/15s shutter)

Wide Dynamic Range 60dB

Sensor 1/3" HD CCD, 2.5 Megapixel

Lens Options	Focal Length	Horizontal view angle	Max Aperture	Day/Night with IR light sources	Day/Night without IR light sources	Day only
Standard Non IR Corrected	2.8-8mm	90.7° (W) 35.2° (T)	F1.2		✓	✓
Standard IR Corrected	3-8mm	100° (W) 35° (T)	F1.2	✓		
Telephoto Non IR Corrected	5-50mm	51.7° (W) 5.3° (T)	F1.4		✓	✓
Telephoto IR Corrected	5-50mm	53.8° (W) 5.5° (T)	F1.6	✓		
Ultra Wide IR Corrected	1.3mm	110°	F1.8	✓	✓	✓

When choosing a lens, lighting conditions should be considered as well as focal length. IR Corrected lenses should be used if night time scenes are illuminated by IR lights or halogen lights. If no IR lights are in use the non-IR Corrected lens will give superior video quality.

Gamma Programmable, 0.45 default

Gain Control Automatic or fixed manual setting: 0 - 30 dB in 16 steps

Scan Mode Progressive Scan

Mirror Mode On or Off

Flip Mode On or Off

Signal/Noise level Better than 45 dB

Shutter Mode Global

Synchronization Internal

Back Light Compensation On or Off

White Balance Auto or Fixed (Indoor, Outdoor) or Manual

Iris Control Auto-iris DC drive lens as standard

Shutter Speeds 1/1 to 1/10,000 in 22 steps

Video Compression Full frame rate H.264 (ISO 14496-10) 30 / 25 fps guaranteed

Video Bitrate Cap 256Kbps to 8Mbps per stream. User configurable

Multi-Streaming
Up to 32Mbps total video output
Unlimited multicast connections
Up to four 8Mbps unicast connections
Up to sixteen 1Mbps unicast connections

Binary Input/Output 2 inputs ; 1 solid state relay output

Network interface RJ-45. IEEE802.3 and IETF standards: 10/100 Base-T Ethernet, TCP, UDP, IGMP, SNMP, HTTP

Network Security Embedded Linux firewall. Salted passwords with MD5 encryption

Time Embedded real-time clock, NTP client

Regulatory EN 55022(1994) ITE - Class A;
EN 55024(1998) ITE immunity standard - Class A
CFR47(1995) Part 15 subpart B -Class A
EN 55022 (1998) ITE emission standard – Class A
EN 55024 (1998) +A1:2000 +A2:2003 ITE immunity standard
EN 60068-2-1 & 2 (1993) Low & High temp
EN 60068-2-6 & 64 (2008) Sinusoid & Random vibration
EN 60068-2-29 (1993) Bump EN 60068-2-30 (2005)
Humidity
CFR47(1995) Part 15 subpart B – Class A
(US federal code of regulations)

Electrical Operating voltage: Power over Ethernet (802.3AF); 24V AC/DC @ 0.45A;
Power consumption: 11W; 24V DC Power Supply separately orderable

Operating Temperature 0 to +40°C/+32 to +104°F



www.indigovision.com

Specification

Camera Features

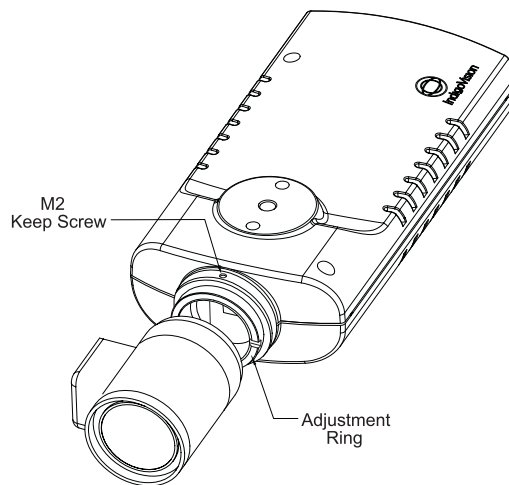
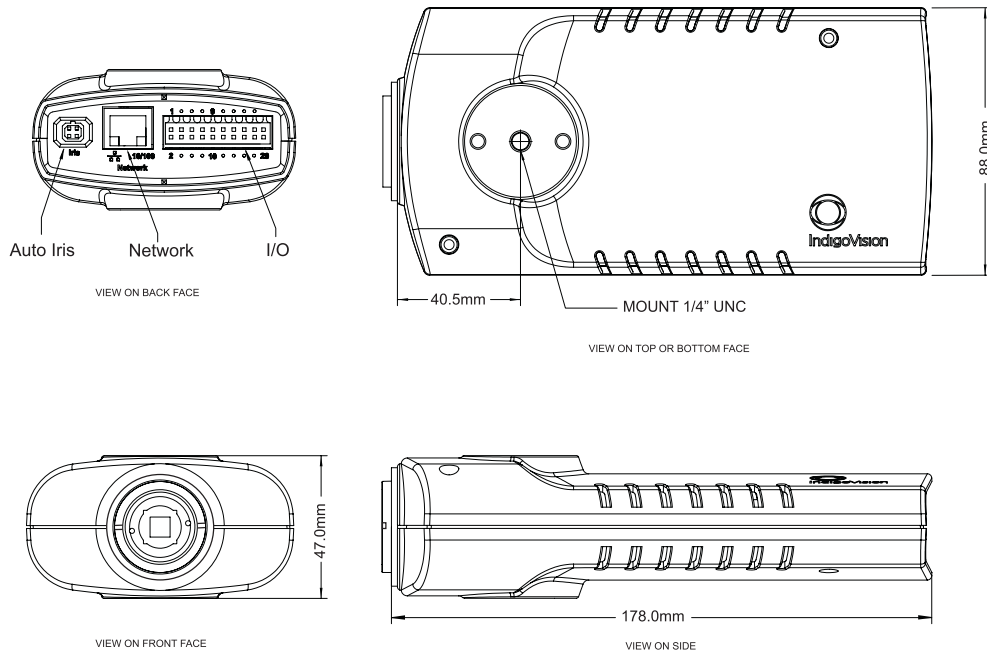
Audio Input + Mono line in terminal block connector. Nominal voltage: 1V p-p, Mic 30mVp-p. Mic type: dynamic

Audio Output + Mono line out terminal block connector. 1V p-p, Minimum load impedance: 32 Ohms

Audio Compression + Full Duplex MPEG-4 Advanced Audio Encoding; 16 kHz sample rate; 16bit resolution. Selectable 32, 48, 64 Kbps bit-rate, 100 - 7000 Hz Bandwidth

Housing Diecast Aluminium Alloy

Dimensions/Weight 175mm (d) x 88mm (w) x 45mm (h) / 0.5Kg



+Audio available as an order option