

Network Video Recorders

NVR-AS 3000 RA Series

Powerful and integrated recording and playback system for video and audio from IP cameras and transmitters.



NVR-AS 3000 Raid Array Series:

RAID 5 distributed parity: RA1500 / RA3000

RAID 1 mirror configured: RA1000 / RA2000

RAID 0 stripe configured: RA2000 / RA4000

IndigoVision offers a suite of Network Video Recorders to suit your requirements. Our family of Standalone Network Video Recorders provides a powerful and integrated recording and playback system for video and audio from IP cameras and transmitters, with a choice of integrated or removable disks.

All Standalone IndigoVision NVRs can be rack- or desk-mounted and require no additional hardware for operation. They can be located at any point on a network allowing recording and playback across multiple sites regardless of location. A system can deploy as many NVRs as required. Remote NVR management and configuration is performed using an intuitive web-based configuration interface which forms part of IndigoVision's Control Center software.

- Record and playback MPEG-4 and H.264 video and audio streams
- Simultaneous full frame rate recording of up to 64 streams plus playback of up to 20 streams
- 5-Year Disk Warranty
- Redundant network connections
- Internal power supply with redundant power connector
- Optional RAID storage resilience
- Low power / low cost of ownership

Specification

Model	RA1500 RAID 5	RA3000 RAID 5	RA1000 RAID 1	RA2000 RAID 1	RA2000 RAID 0	RA4000 RAID 0
Network Redundancy	Y	Y	Y	Y	Y	Y
Redundant Power Supply	Y	Y	Y	Y	Y	Y
Removable Storage	Y*	Y*	Y*	Y*	Y*	Y*
Disk Space (GB)	1500	3000	1000	2000	2000	4000
Available Storage (GB)	1458	2943	963	1953	1953	3933
Max. Recording Streams	64	64	64	64	64	64
Max. Playback Streams	20	20	20	20	20	20
Max. Recording Bitrate	40 Mbps	40 Mbps	64 Mbps	64 Mbps	64 Mbps	64 Mbps
Max. Playback Bitrate	40 Mbps	40 Mbps	40 Mbps	40 Mbps	40 Mbps	40 Mbps
Licence Options	20 stream, 40 stream and 64 stream licences are available					
Power consumption	53W max					
Physical Dimensions	483x272x87mm (2U); Weight: 8.2 Kg					
Electrical	Operating Voltage: Input 100-240V ~ 47-63Hz 1A. Connector for redundant external power supply					
Network Connections	Two redundant 100/1000 BaseT RJ-45 Connections					
Environmental	Operating temp: 0° to 50°C/32° to 122°F; Storage temp: -20° to +70°C/-4° to +158°F					
Network Interface	TCP, UDP, ICMP, IGMP, SNMP, HTTP, NTP, Telnet, FTP					
Network Security	Embedded Linux firewall. Salted passwords with MD5 encryption					
Onboard Diagnostics	Disk, CPU, Motherboard temperatures. Redundant power and network status. Cooling fan status					
Regulatory	EN55022 ITE Emission standard Class A; EN61000-3-2 Mains Harmonics Class A; EN61000-3-3 Voltage Fluctuation; EN55024 ITE Immunity standard; CFR47: 2002 Part 15 Sub Part B (US federal code of regulations) UL 60950-01, Information Technology Equipment - Safety - Part 1: General Requirements					
Disks	SATA Seagate SV35.5 Series optimised for 24x7 video storage. 5-year warranty					

*Removable as a RAID set

Examples of Recording Duration in Days

This table estimates the number of days recording on an RA4000 model (4TB storage) with different numbers of cameras assuming full frame rate, 4SIF, H.264 video at a maximum bitrate of 2Mbps. As IndigoVision transmitters only use required bandwidth, the actual recording capacity may be more or less than shown.

Motion level	20 cameras	40 cameras	64 cameras
Occasional	170 days	85 days	50 days
Intermittent	34 days	17 days	10 days
Frequent	18 days	9 days	5 days

For more accurate estimates, please see the IndigoVision website or contact IndigoVision's Partner Support.



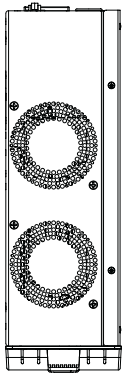
www.indigovision.com

Specification

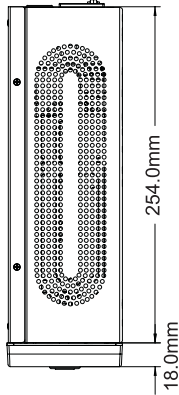
All NVR-AS 3000 variants have the same 2U high, 19" rack housing design with different storage configurations depending on the variant.



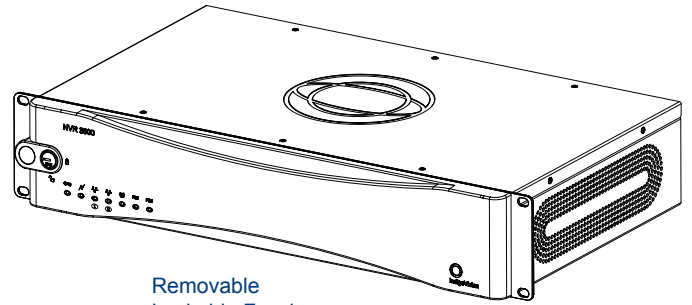
View on back face



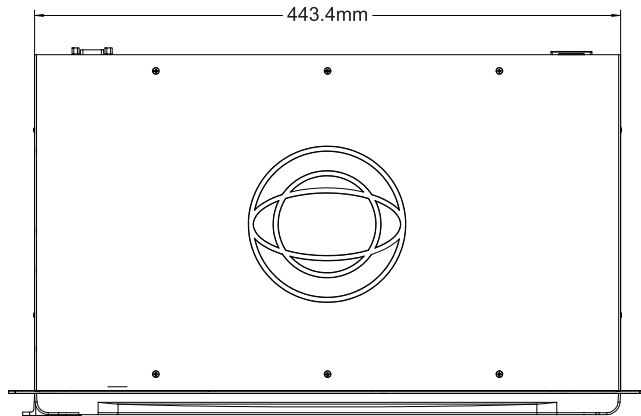
View on left face



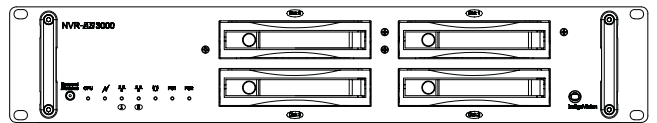
View on right face



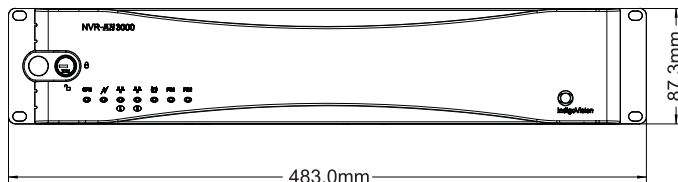
Removable
Lockable Fascia



View on top face



RA series with 4 x Removable H/Drives



View on front face